

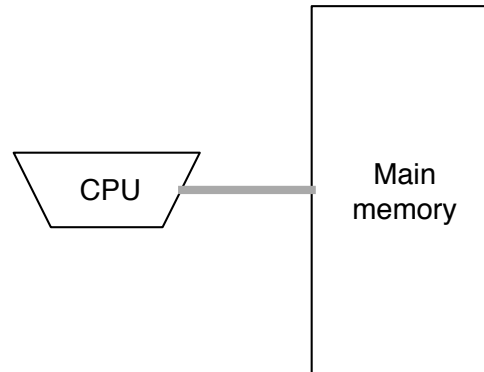
External Memory I

- Computational Models
- Scanning
- Sorting
- Searching

External Memory I

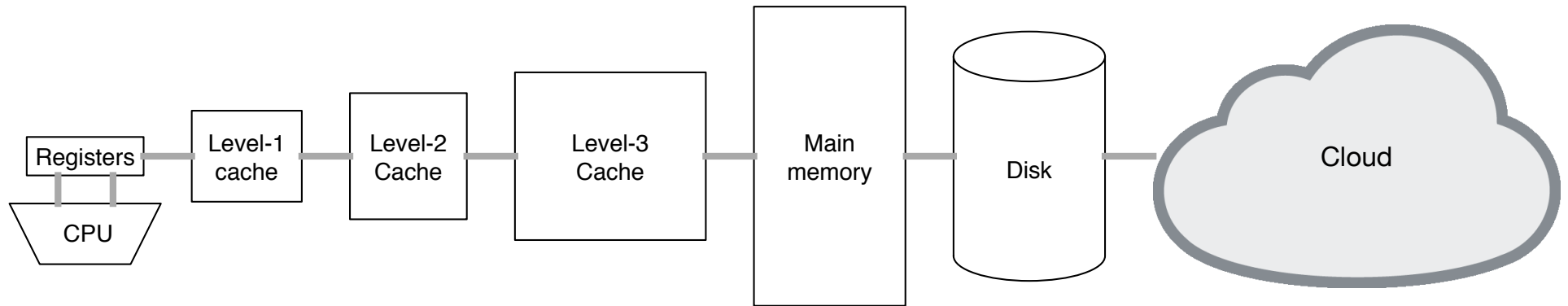
- Computational Models
- Scanning
- Sorting
- Searching

Computational Models



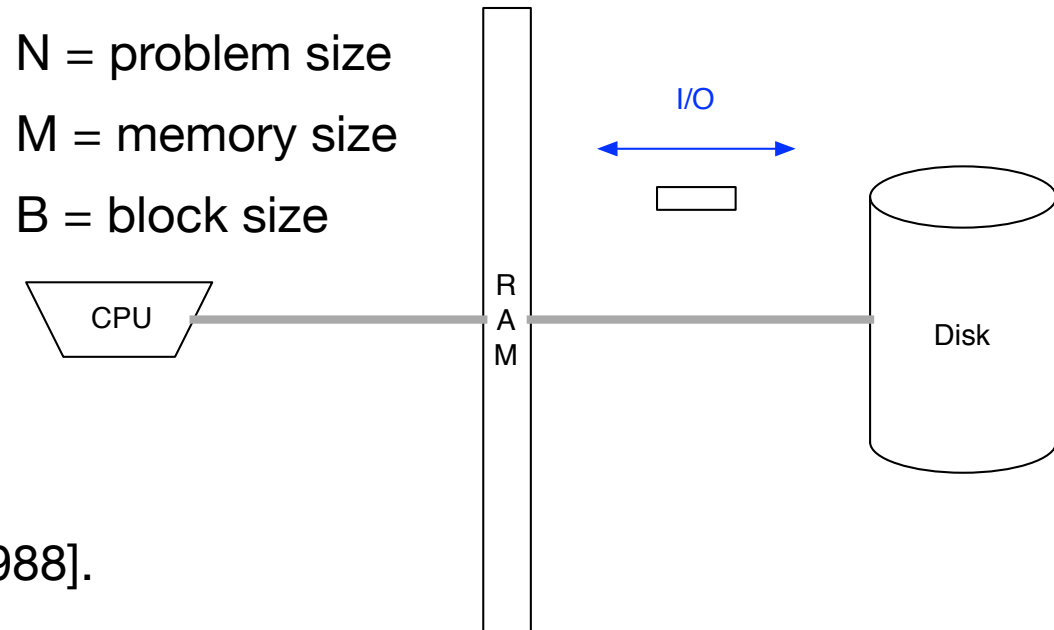
- (word) RAM Model
 - Infinite memory of w -bit memory cells
 - Instructions: Memory access, arithmetic operations, boolean operations, control-flow operations, etc.
- Complexity model.
 - Time = number of instructions.
 - Space = number of memory cells used.

Computational Models



- iMac (late 2017)
 - CPU: 3.5 Ghz Core i5 (4 cores)
 - Registers: ?
 - L1 cache: ?
 - L2 cache: 256k per core
 - L3 cache: 6 MB shared
 - Memory: 8 GB
 - Disk: 1 Tb, (32 Gb SSD + 1Tb hard drive)
 - Instructions: Memory access, arithmetic operations, boolean operations, control-flow operations, etc.
- Complexity?

Computational Models



- I/O model [Aggarwal and Vitter 1988].
 - Limited memory, Infinite disk
 - Instructions: Disk I/O operations, memory access, arithmetic operations, boolean operations, control-flow operations, etc.
- Complexity model.
 - I/Os = Number of disk I/Os
 - Computation is free (!)

External Memory I

- Computational Models
- Scanning
- Sorting
- Searching

Scanning

33	4	25	28	45	18	7	12	36	1	47	42	50	16	...
----	---	----	----	----	----	---	----	----	---	----	----	----	----	-----

- Scanning. Given an array A of N values stored in N/B blocks and a key x , determine if x is in A .
- I/Os. $O(N/B)$.

External Memory I

- Computational Models
- Scanning
- Sorting
- Searching

Sorting

33	4	25	28	45	18	7	12	36	1	47	42	50	16	31
----	---	----	----	----	----	---	----	----	---	----	----	----	----	----

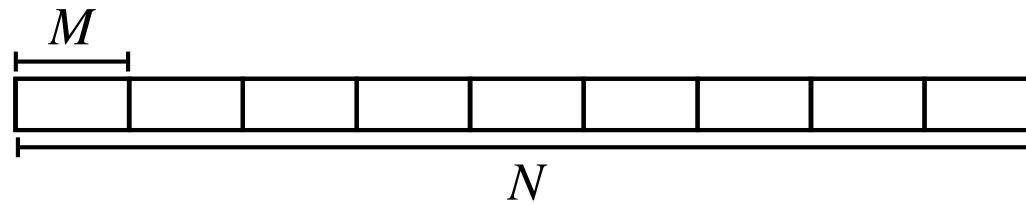
1	4	7	12	16	18	25	28	31	33	36	42	45	47	50
---	---	---	----	----	----	----	----	----	----	----	----	----	----	----

- Sorting. Given array A of N values (stored in N/B consecutive blocks), output the values in increasing order.

External Merge Sort

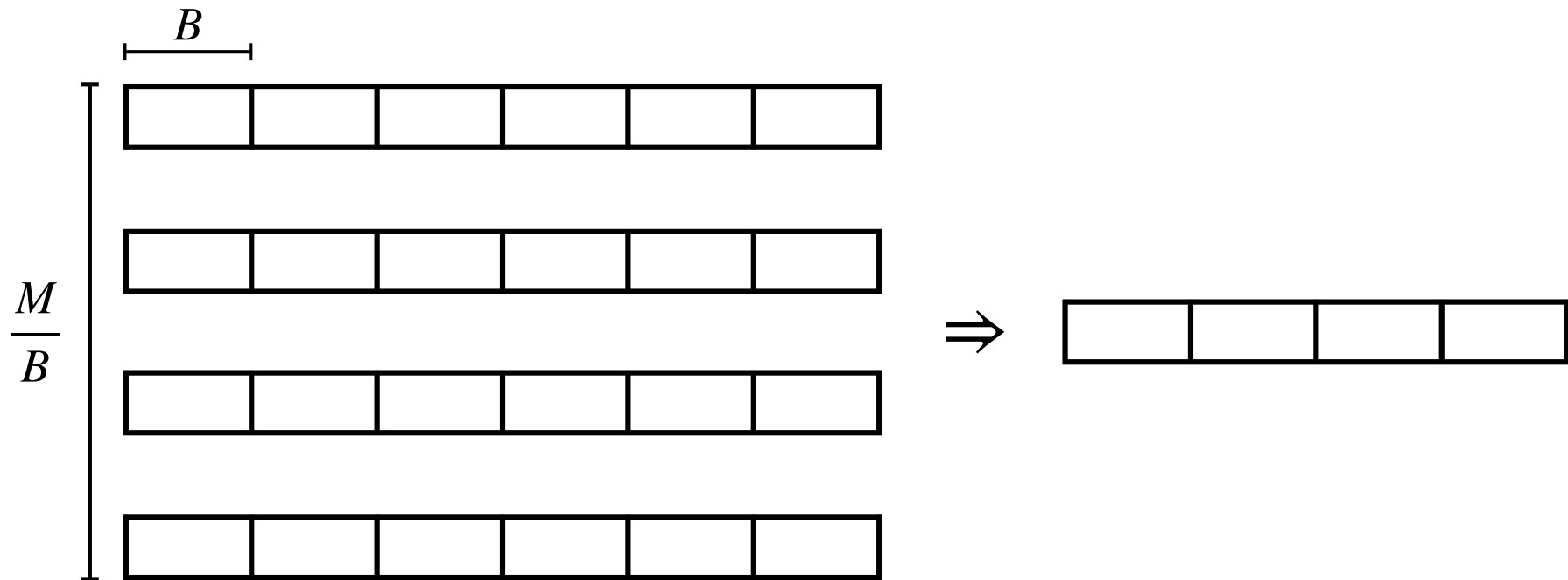
- Goal. Sorting in $O(N/B \log_{M/B} (N/B))$ I/Os.
- Solution in 3 steps.
 - Base case.
 - External multi-way merge.
 - External merge sort.

External Merge Sort



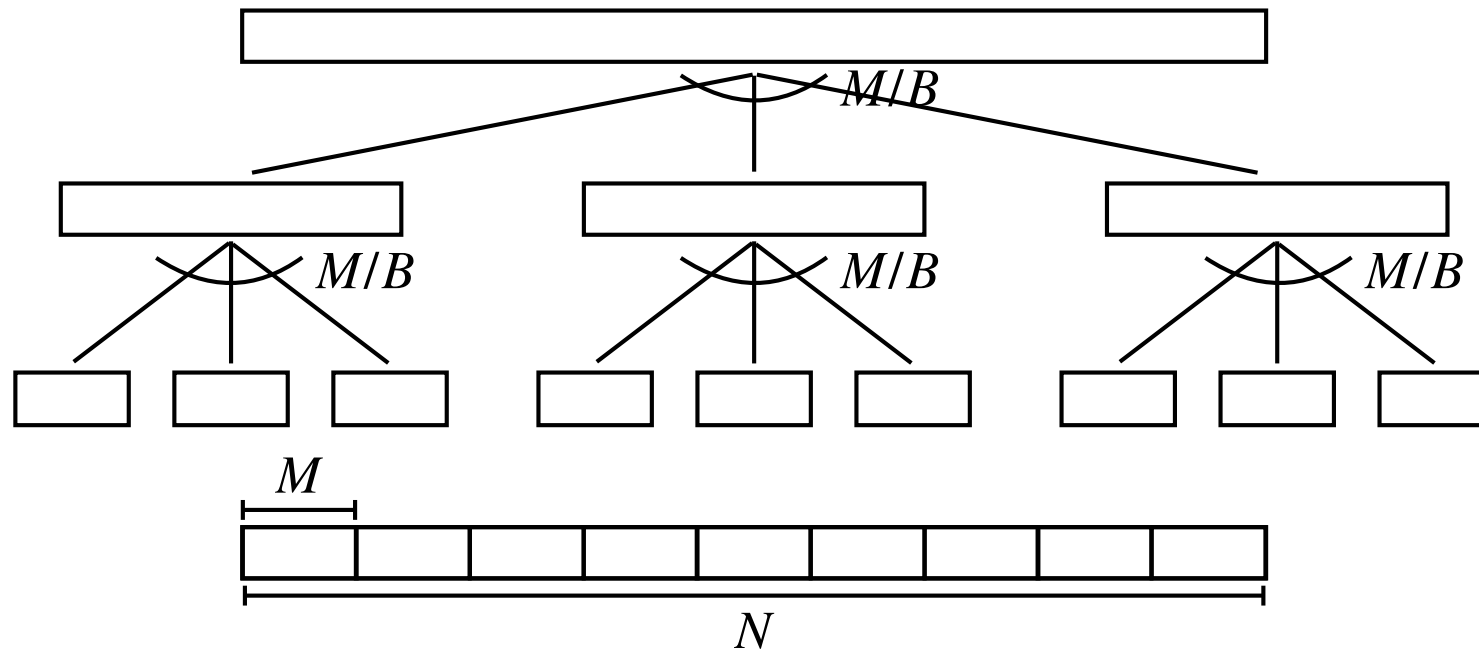
- Base case.
 - Partition N elements into N/M arrays of size M .
 - Load each into memory and sort.
- I/Os. $O(N/B)$

External Merge Sort



- Multiway merge algorithm.
 - N elements in M/B arrays.
 - Load M/B first blocks into memory and sort.
 - Output B smallest elements.
 - Load more blocks into memory if needed.
 - Repeat
- I/Os. $O(N/B)$.

External Merge Sort



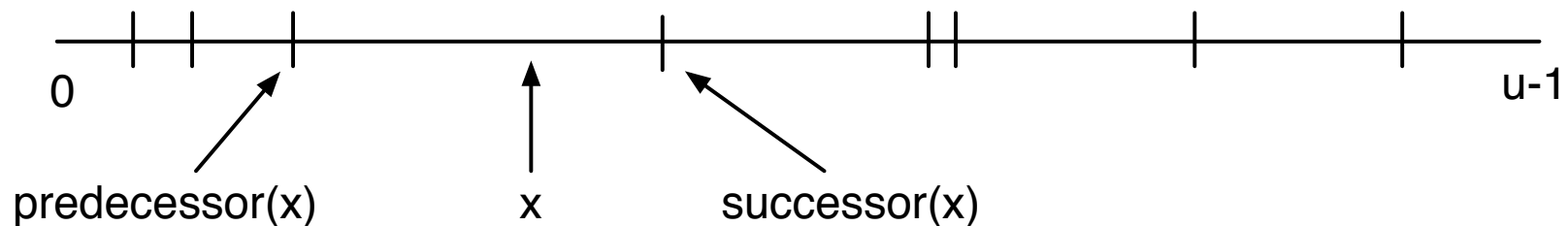
- Algorithm.
 - Partition N elements into N/M arrays of size M . Load each into memory and sort.
 - Apply M/B way external multiway merge until left with single sorted array.
 - I/Os.
 - Sort N/M arrays: $O(N/B)$ I/Os
 - Height of tree $O(\log_{M/B}(N/M))$
 - Cost per level: $O(N/B)$ I/Os.
- Total I/Os: $O\left(\frac{N}{B} \log_{M/B} \frac{N}{M}\right) = O\left(\frac{N}{B} \log_{M/B} \frac{N}{B}\right)$

External Memory I

- Computational Models
- Scanning
- Sorting
- Searching

Searching

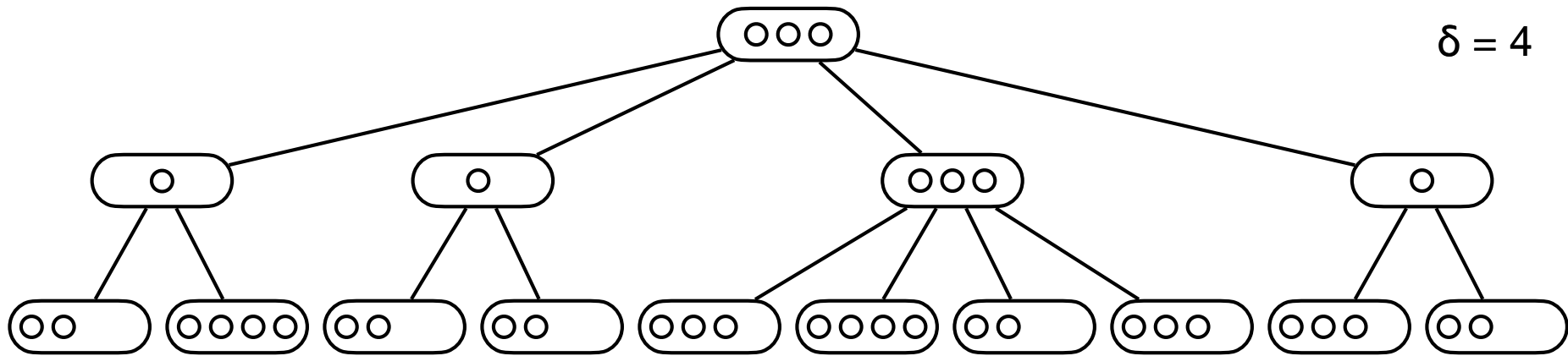
- Searching. Maintain a set $S \subseteq U = \{0, \dots, u-1\}$ supporting
 - $\text{member}(x)$: determine if $x \in S$
 - $\text{predecessor}(x)$: return largest element in $S \leq x$.
 - $\text{successor}(x)$: return smallest element in $S \geq x$.
 - $\text{insert}(x)$: set $S = S \cup \{x\}$
 - $\text{delete}(x)$: set $S = S - \{x\}$



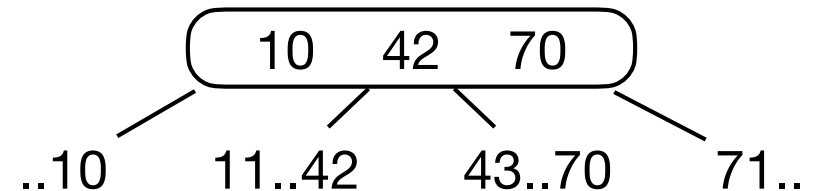
Searching

- Applications.
 - Relational data bases.
 - File systems.

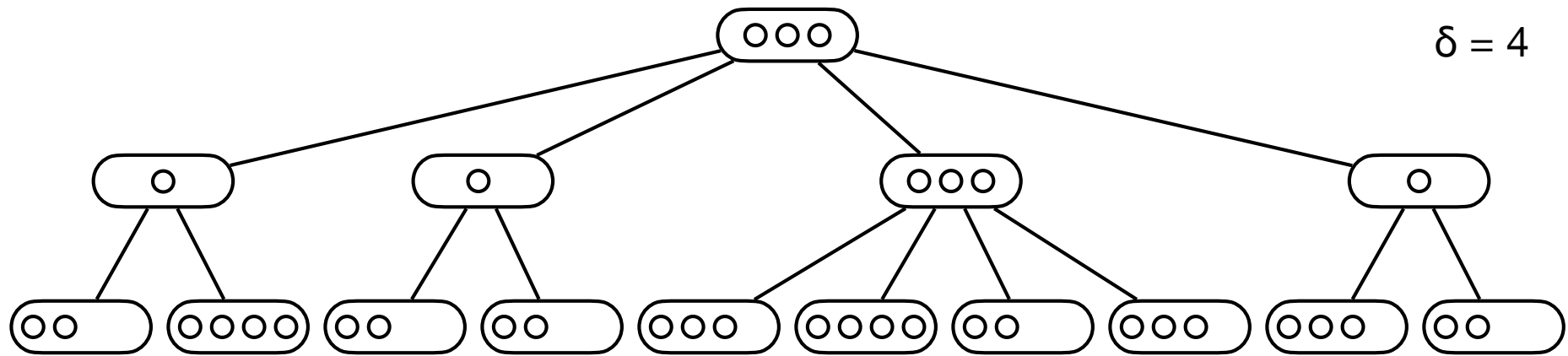
B-tree



- B-tree of order $\delta = \Theta(B)$ with N keys.
 - Keys in leaves. Routing elements in internal nodes.
 - Degree between $\delta/2$ and δ .
 - Root degree between 2 and δ .
 - Leaves store between $\delta/2$ and δ keys.
 - All leaves have the same depth.
- Height. $\Theta(\log_{\delta} (N/B)) = \Theta(\log_B N)$

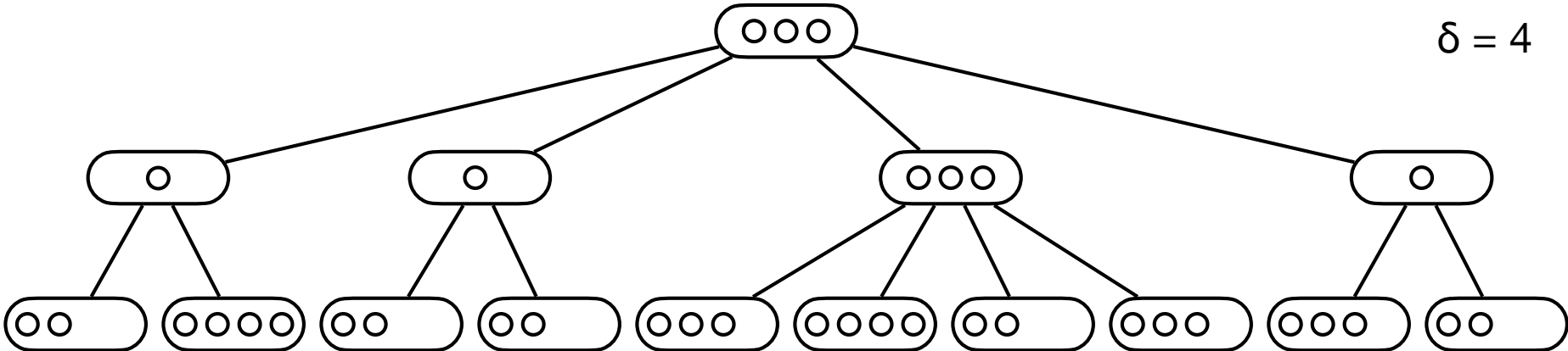


B-tree

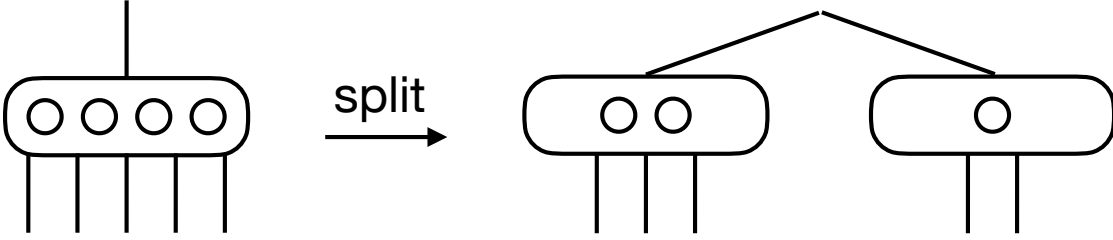


- Searching.
 - Find leaf using routing elements.
- I/Os. $O(\log_B N)$.

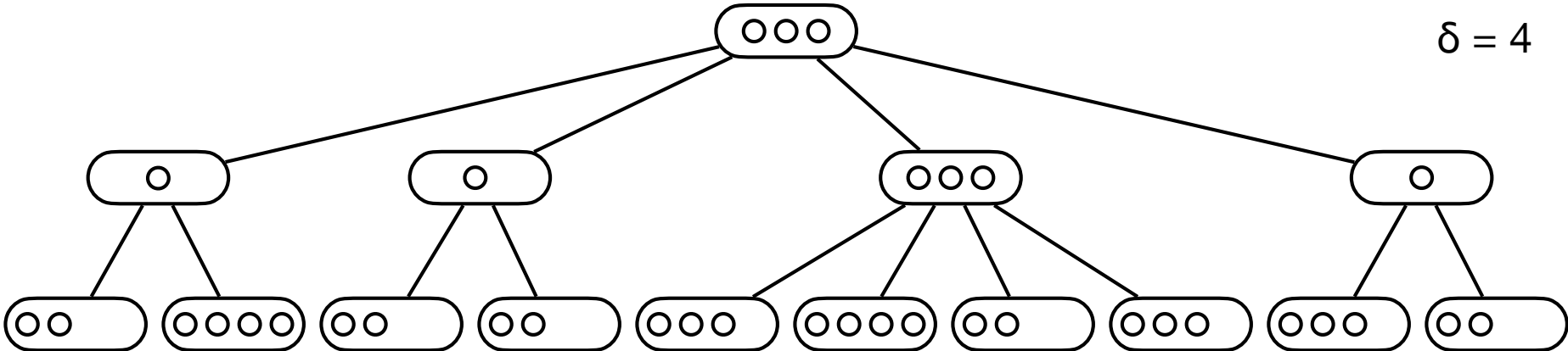
B-tree



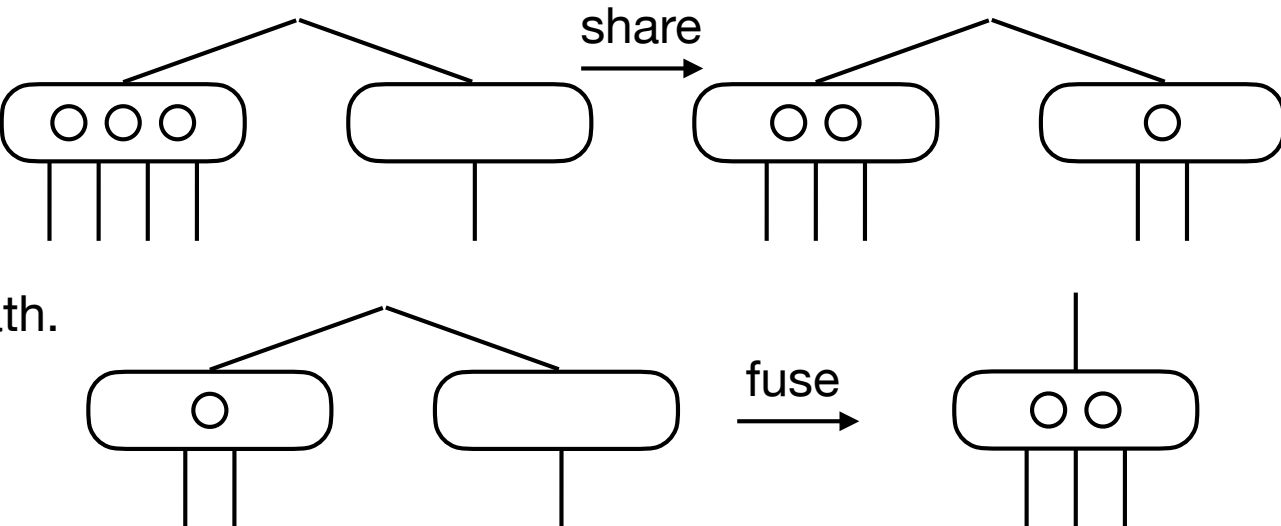
- Insertion.
 - Find leaf.
 - Insert key.
 - Split nodes on path.
- I/Os. $O(\log_B N)$.



B-tree



- Deletion.
 - Find leaf.
 - Delete key.
 - Share or fuse nodes on path.
- I/Os. $O(\log_B N)$.



Basic Bounds

	Internal	External
Scanning	$O(N)$	$\text{scan}(N) = O(N/B)$
Sorting	$O(N \log N)$	$\text{sort}(N) = O((N/B) \log_{M/B} (N/B))$
Searching	$O(\log N)$	$\text{search}(N) = O(\log_B(N))$

External Memory I

- Computational Models
- Scanning
- Sorting
- Searching