

Range Reporting

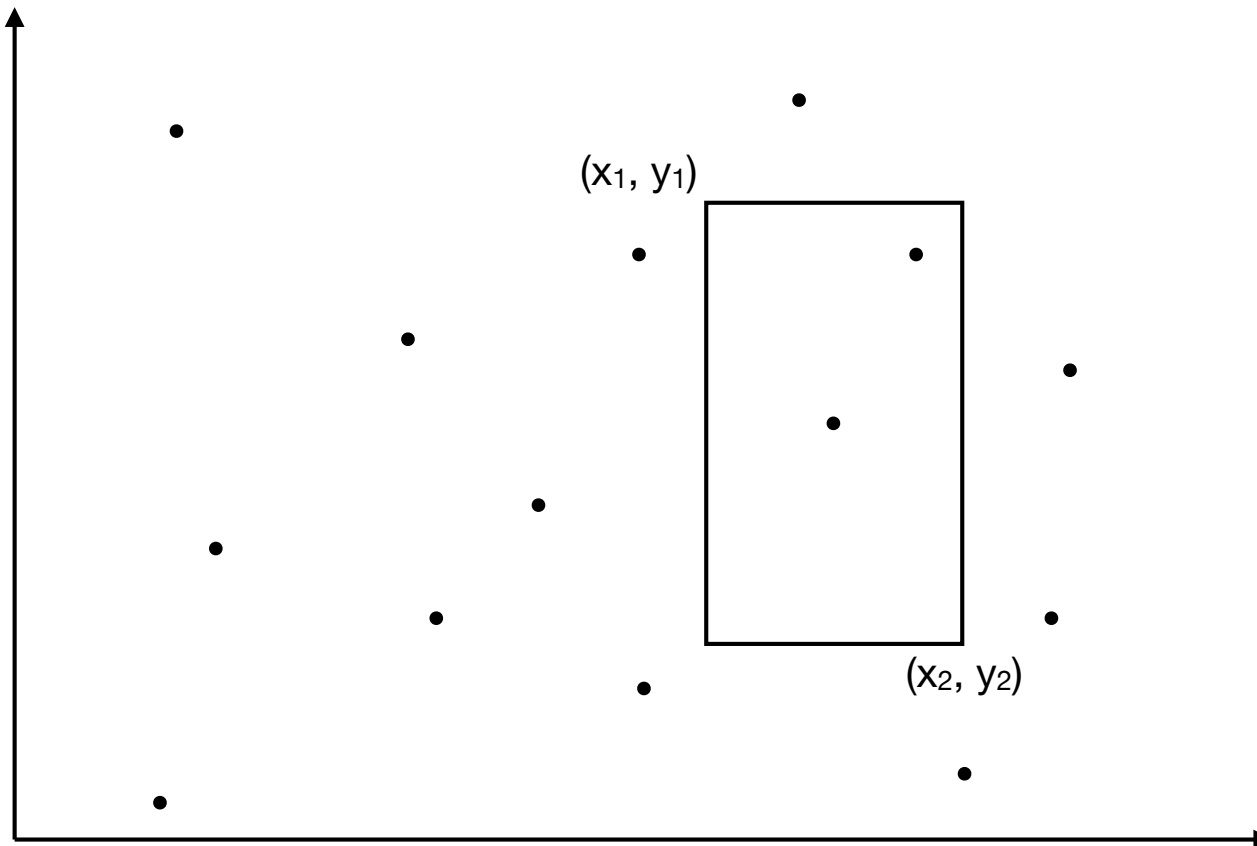
- Range reporting problem
- 1D range reporting
 - Range trees
- 2D range reporting
 - Range trees
 - Predecessor in nested sets
 - kD trees

Range Reporting

- Range reporting problem
- 1D range reporting
 - Range trees
- 2D range reporting
 - Range trees
 - Predecessor in nested sets
 - kD trees

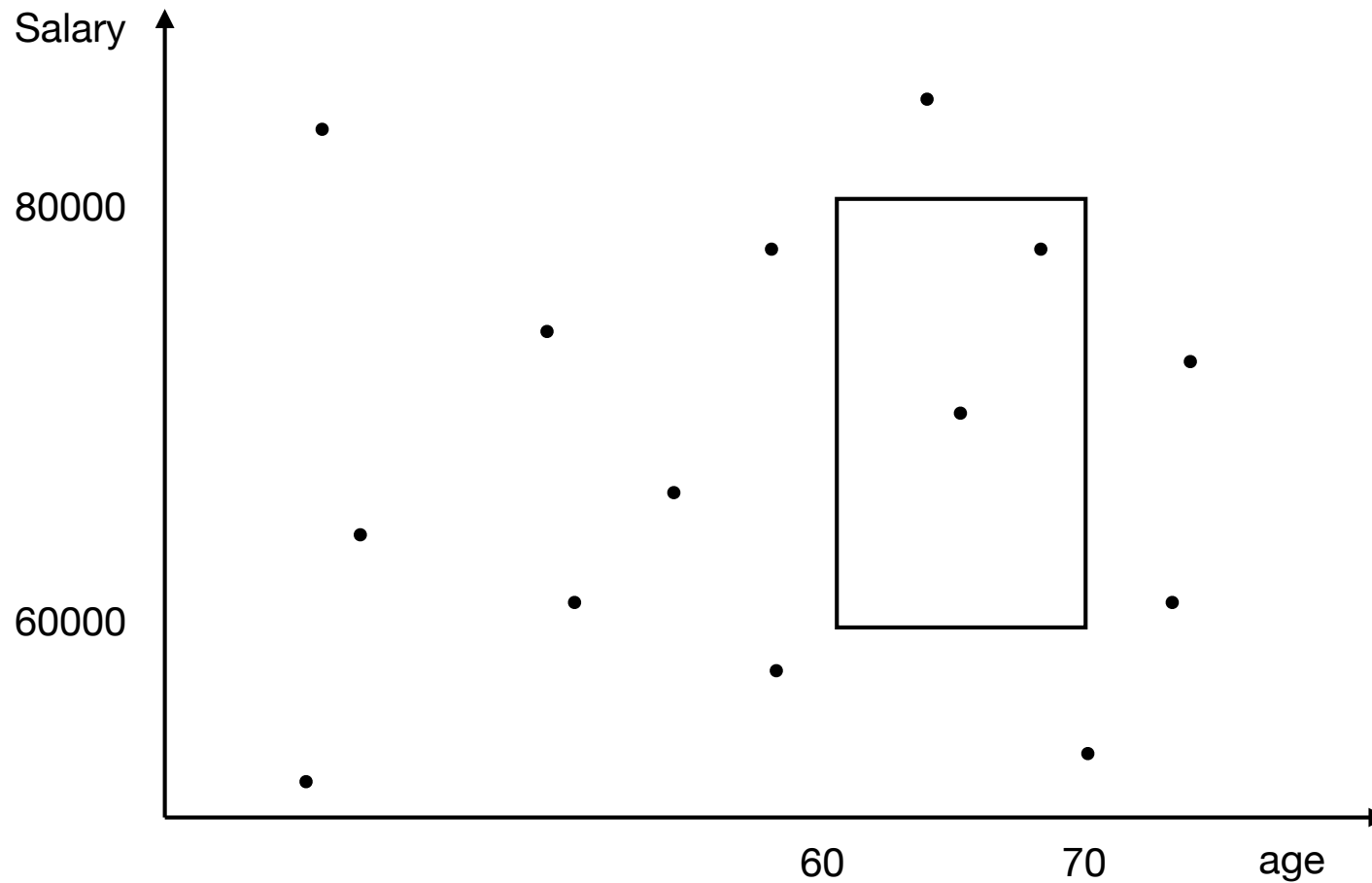
Range Reporting Problem

- **2D range reporting problem.** Preprocess at set of points $P \subseteq \mathbb{R}^2$ to support
 - $\text{report}(x_1, y_1, x_2, y_2)$: Return the set of points in $R \cap P$, where R is rectangle given by (x_1, y_1) and (x_2, y_2) .



Applications

- [Relational databases](#). SELECT all employees between 60 and 70 years old with a monthly salary between 60000 and 80000 DKr



Range Reporting

- Range reporting problem
- 1D range reporting
 - Range trees
- 2D range reporting
 - Range trees
 - Predecessor in nested sets
 - kD trees

1D Range Reporting

- **1D range reporting.** Preprocess a set of n points $P \subseteq \mathbb{R}$ to support:
 - `report(x_1, x_2)`: Return the set of points in interval $[x_1, x_2]$
- **Output sensitivity.** Time should depend on the size of the output.
- **Simplifying assumption.** Only **comparison-based** techniques (e.g. no hashing or bittricks).
- Solutions?

1D Range Reporting

| | | | | | | | | | | | | | | | |
|---|---|---|----|----|----|----|----|----|----|----|----|----|----|----|----|
| 1 | 3 | 8 | 15 | 17 | 23 | 25 | 26 | 27 | 30 | 46 | 51 | 52 | 65 | 66 | 70 |
|---|---|---|----|----|----|----|----|----|----|----|----|----|----|----|----|

- **Sorted array.** Store P in sorted order.
- **Report(x_1, x_2):** Binary search for predecessor of x_1 . Traverse array until $> x_2$.
- **Time.** $O(\log n + \text{occ})$
- **Space.** $O(n)$
- **Preprocessing.** $O(n \log n)$

1D Range Reporting

- **Theorem.** We can solve the 1D range reporting problem in
 - $O(n)$ space.
 - $O(\log n + \text{occ})$ time for queries.
 - $O(n \log n)$ preprocessing time.
- Optimal in **comparison-based model**.

Range Reporting

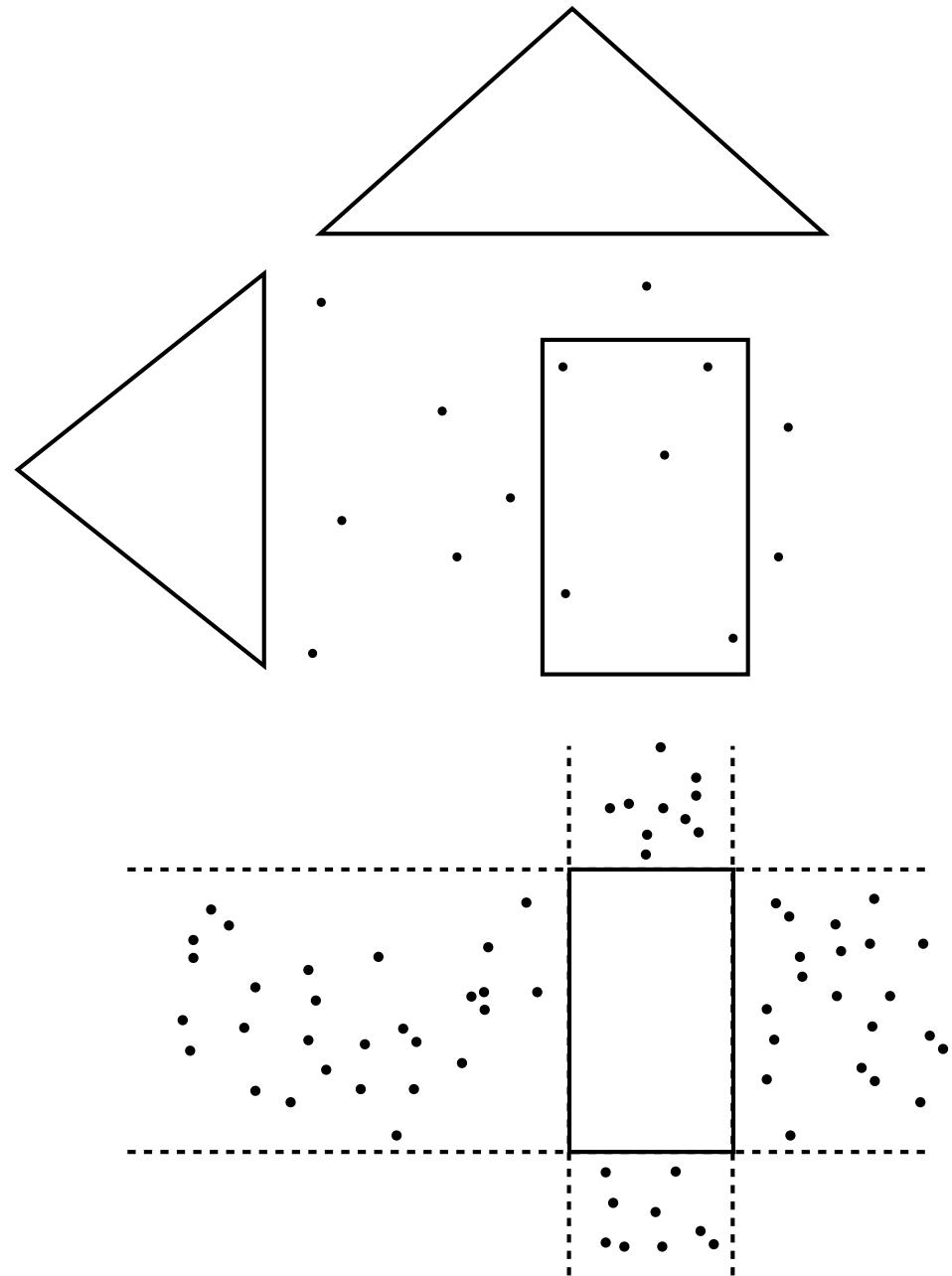
- Range reporting problem
- 1D range reporting
 - Range trees
- 2D range reporting
 - Range trees
 - Predecessor in nested sets
 - kD trees

2D Range reporting

- **Goal.** 2D range reporting with
 - $O(n \log n)$ space and $O(\log n + \text{occ})$ query time or
 - $O(n)$ space and $O(n^{1/2} + \text{occ})$ query time.
- **Solution in 4 steps.**
 - Generalized 1D range reporting.
 - 2D range trees.
 - 2D range trees with **bridges**.
 - kD trees.

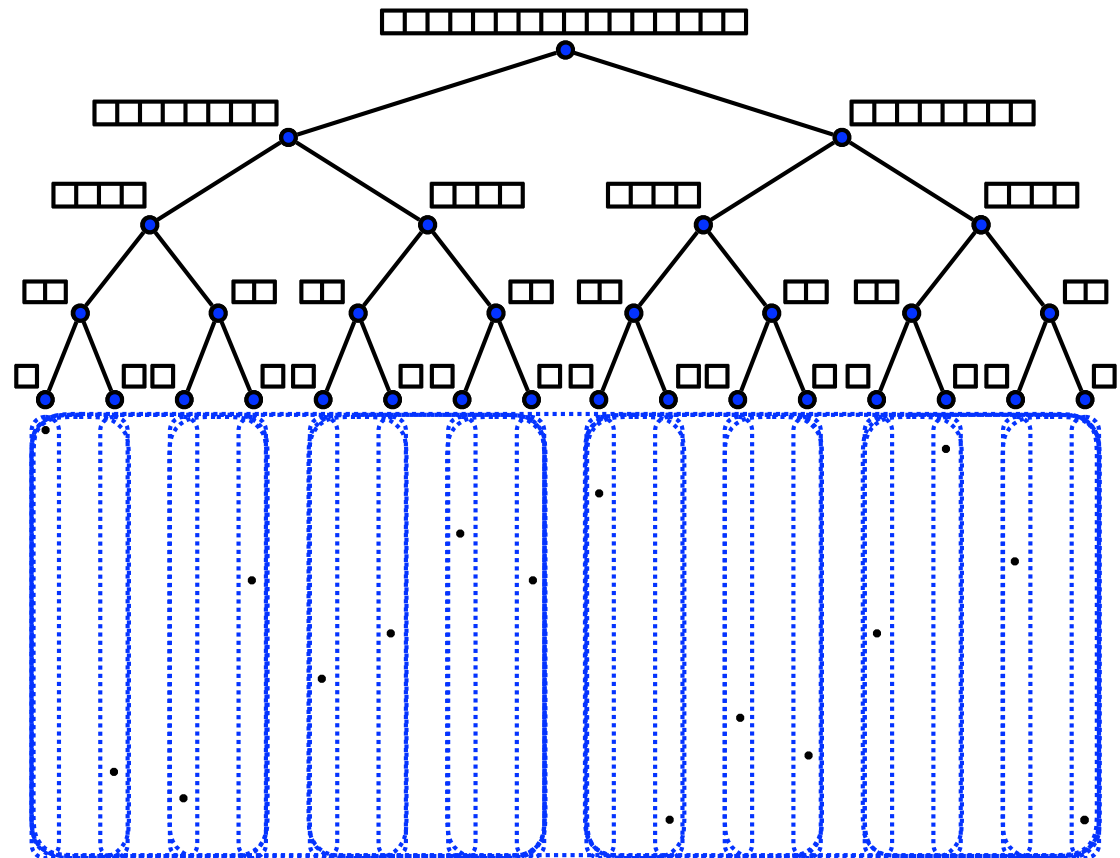
Generalized 1D Range Reporting

- Data structure.
 - 1D range tree T_x over x-coordinate
 - 1D range tree T_y over y-coordinate
- Report(x_1, y_1, x_2, y_2):
 - Compute all points R_x in x-range.
 - Compute all points R_y in y-range.
 - Return $R_x \cap R_y$
- Time?



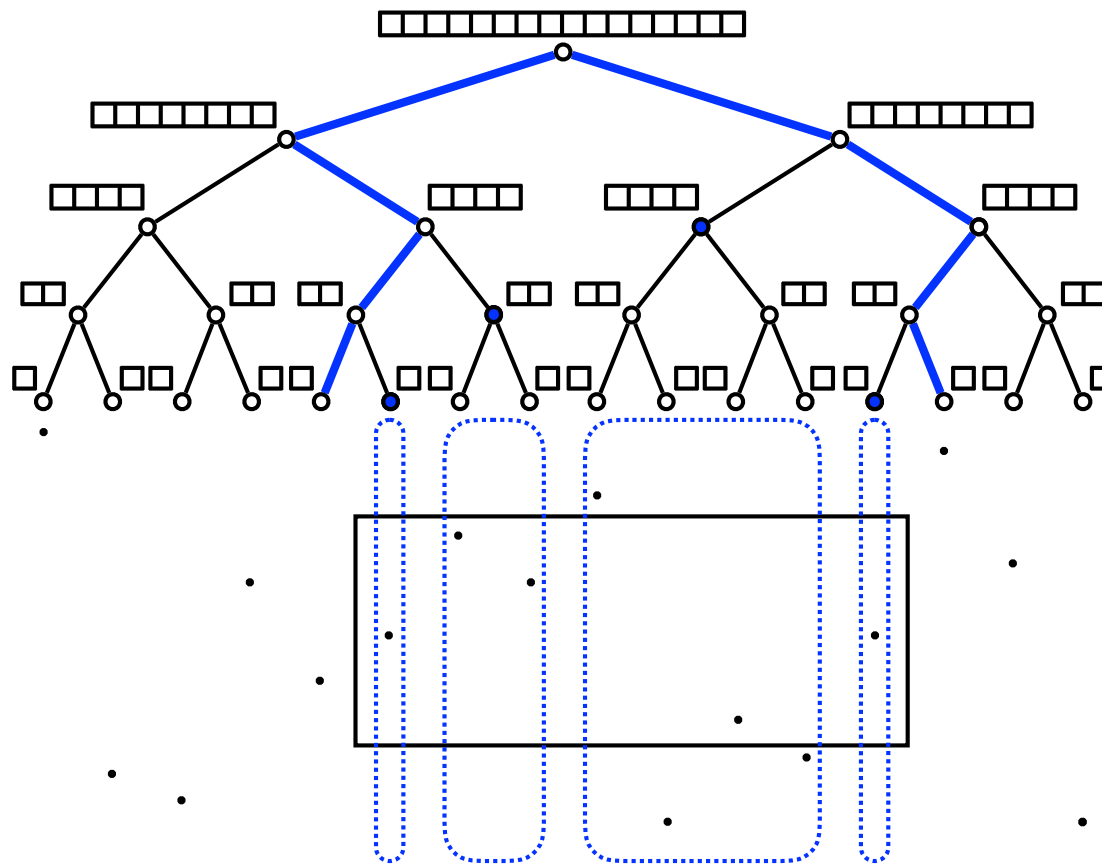
2D Range Trees

- **Data structure.**
 - Perfectly balanced binary tree over x-coordinate.
 - Each node v stores array of point below v sorted by y coordinate.
- **Space.** $O(n) + O(n \log n) = O(n \log n)$.
- **Preprocessing time.** $O(n \log n)$



2D Range Trees

- **Report**(x_1, y_1, x_2, y_2): Find paths to predecessor of x_1 and successor of x_2 .
 - At each **off-path node** do 1D query on y-range.
 - Return union of results.
- **Time.**
 - Predecessor + successor: $O(\log n)$
 - $< 2\log n$ 1D queries: $O(\log n + \text{occ in subrange})$ time per query.
 - \Rightarrow total $O(\log^2 n + \text{occ})$ time.



2D Range Reporting

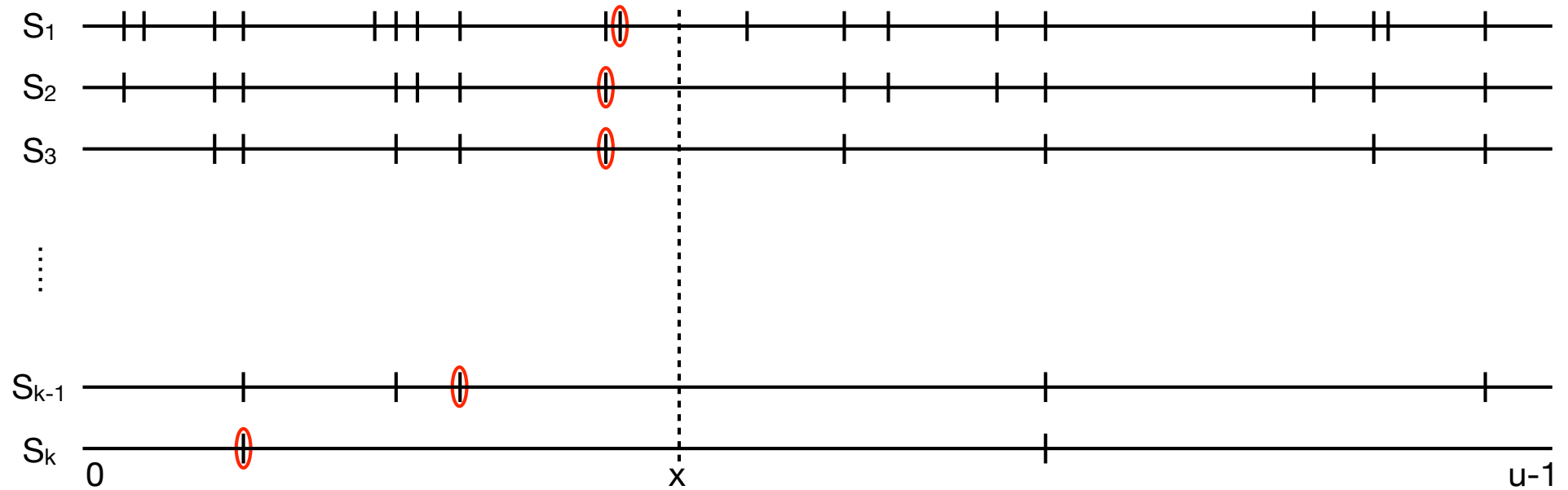
- **Theorem.** We can solve the 2D range reporting problem in
 - $O(n \log n)$ space.
 - $O(\log^2 n + \text{occ})$ time for queries.
 - $O(n \log n)$ preprocessing time.
- **Challenge.** Do we really need the $\log^2 n$ term for queries? Can we get (optimal) $O(\log n + \text{occ})$ instead?

Range Reporting

- Range reporting problem
- 1D range reporting
 - Range trees
- 2D range reporting
 - Range trees
 - Predecessor in nested sets
 - kD trees

Predecessor in Nested Sets

- Predecessor problem in nested sets. Let $S = \{S_1, S_2, \dots, S_k\}$ be a family of sets from universe U such that $U \supseteq S_1 \supseteq S_2 \supseteq \dots \supseteq S_k$.
 - predecessor(x): return the predecessor of x in each of S_1, S_2, \dots, S_k .

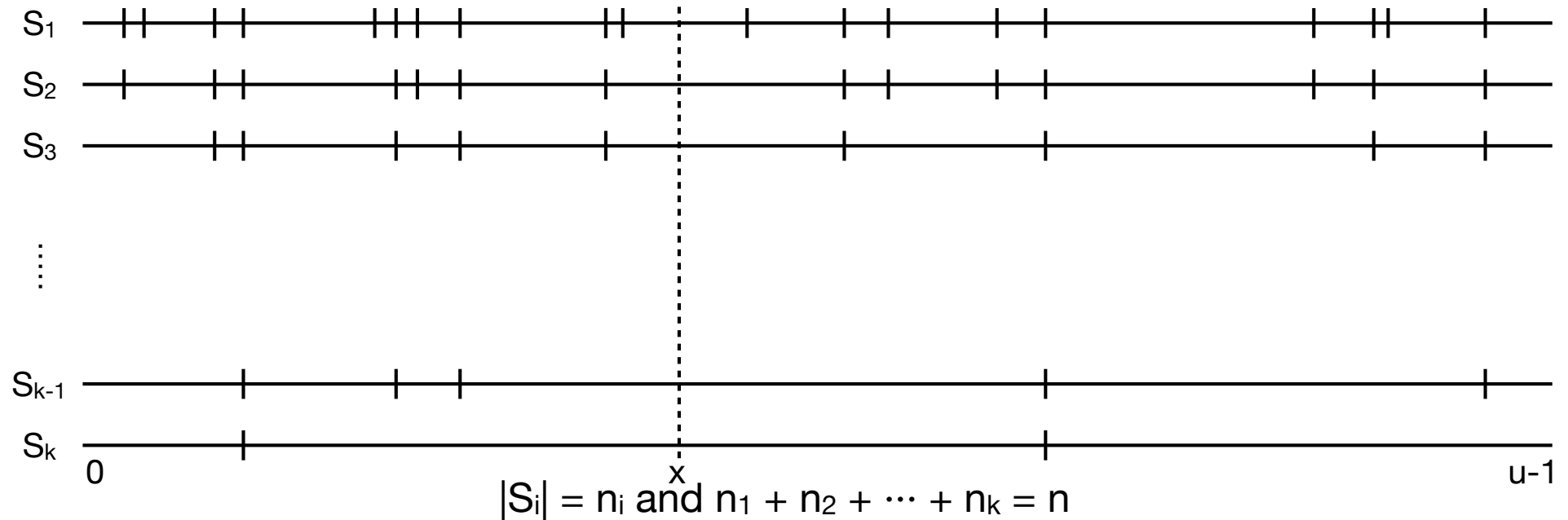


$$|S_i| = n_i \text{ and } n_1 + n_2 + \dots + n_k = n$$

Predecessor in Nested Sets

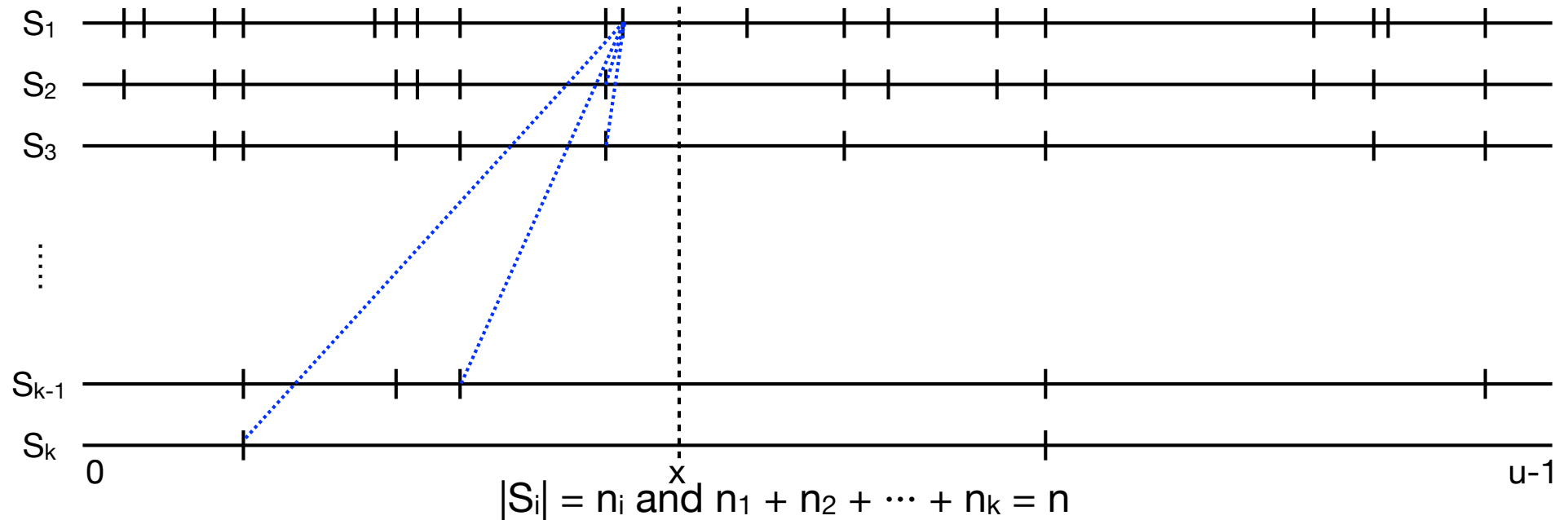
- **Goal.** Predecessor in nested sets with $O(n)$ space and $O(\log n + k)$ query time.
- **Solution in 3 steps.**
 - **Sorted arrays.** Slow and linear space.
 - **Tabulation.** Fast but too much space.
 - **Sorted arrays with bridges.** Fast and little space.

Solution 1: Sorted Arrays



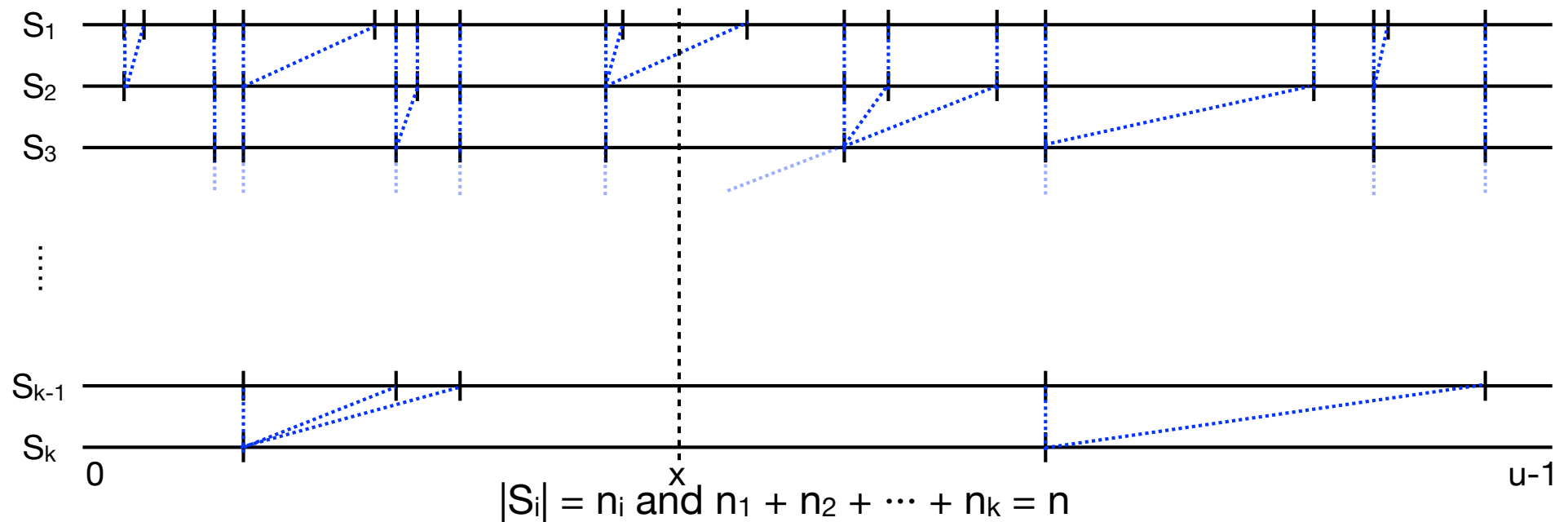
- **Data structure.** Sorted arrays for each set.
- **Predecessor(x):** Binary search in each array.
- **Time.** $O(\log n_1 + \log n_2 + \dots + \log n_k) = O(k \log n)$
- **Space.** $O(n)$

Solution 2: Tabulation



- **Data structure.** Sorted array on S_1 + each entry stores $k-1$ predecessors in S_2, \dots, S_k .
- **Predecessor(x):** Binary search in S_1 array + report predecessors.
- **Time.** $O(\log n_1 + k) = O(\log n + k)$
- **Space.** $O(nk)$
- **Challenge.** Can we get the best of both worlds?

Solution 3: Sorted Arrays with Bridges



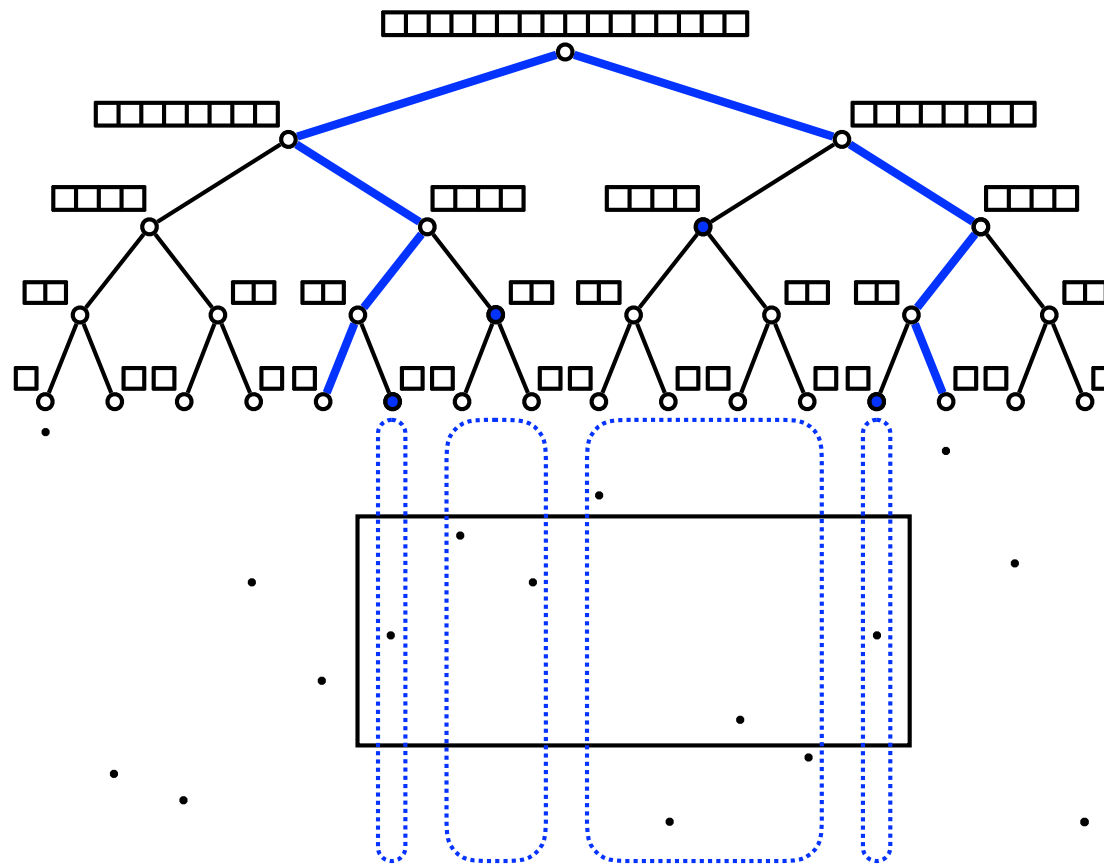
- **Data structure.** Sorted arrays for each set + **bridges**.
- **Predecessor(x):** Binary search in S_1 array + traverse bridges and report elements.
- **Time.** $O(\log n_1 + k) = O(\log n + k)$
- **Space.** $O(n)$

Predecessor in Nested Sets

- **Theorem.** We can solve the predecessor in nested sets problem in
 - $O(n)$ space.
 - $O(\log n + k)$ query time.
 - $O(n \log n)$ preprocessing time.
- **Extensions.**
 - Predecessor \Rightarrow 1D range reporting.
 - More tricks \Rightarrow works for non-nested sets. Called **fractional cascading**.
- **Challenge.** How can we use predecessor in nested sets for 2D range reporting?

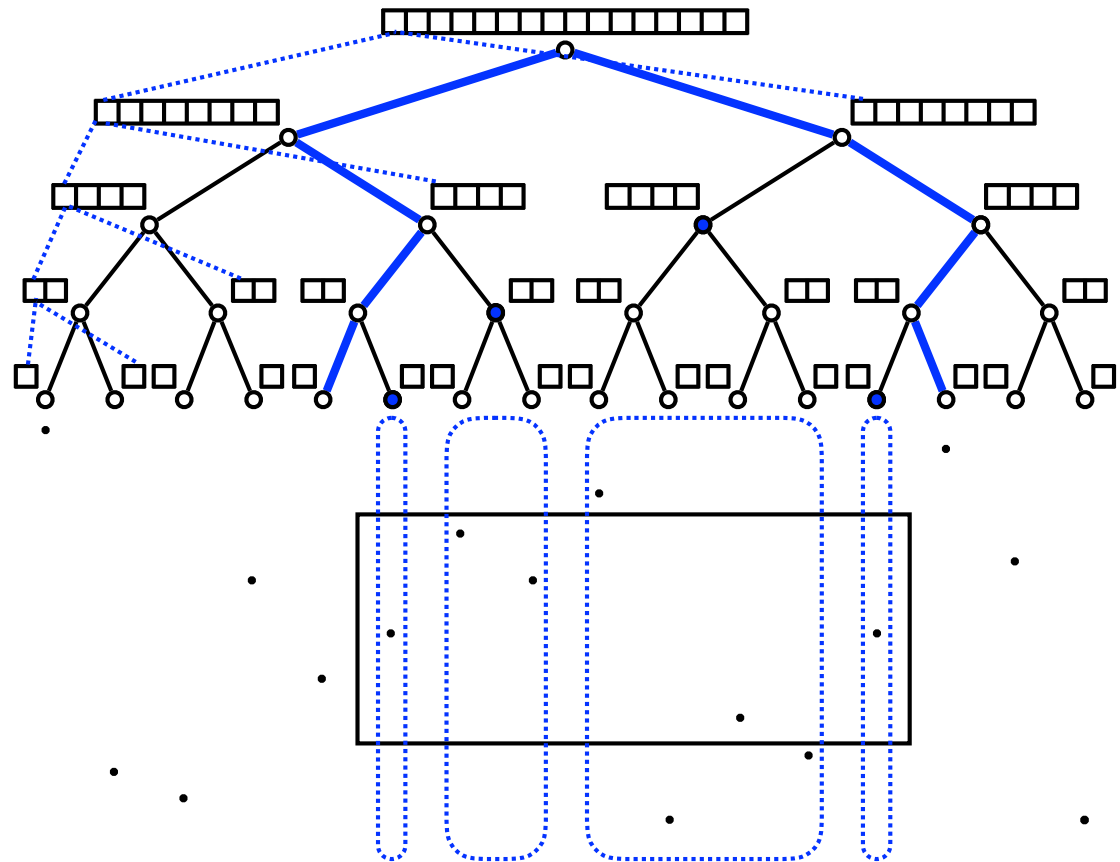
2D Range Reporting

- **Goal.** 2D range reporting in $O(n \log n)$ space and $O(\log n)$ time
- **Idea.** Consider node v with children v_l and v_r .
 - Arrays at v_l and v_r are **subsets** of array at v .
 - All searches in arrays during a query are on the **same** y-range.



2D Range Reporting

- **Data structure.** 2D range tree with bridges.
 - Each point in array at v stores bridges to arrays in v_l and v_r .
- **Report(x_1, y_1, x_2, y_2):** As 2D range tree query
 - Binary search in root array + traverse bridges for remaining 1D queries.
- **Time.** $O(\log n + occ)$
- **Space.** $O(n \log n)$
- **Preprocessing.** $O(n \log n)$



2D Range Reporting

- **Theorem.** We can solve the 2D range reporting problem in
 - $O(n \log n)$ space
 - $O(\log n + \text{occ})$ time for queries.
 - $O(n \log n)$ preprocessing time.

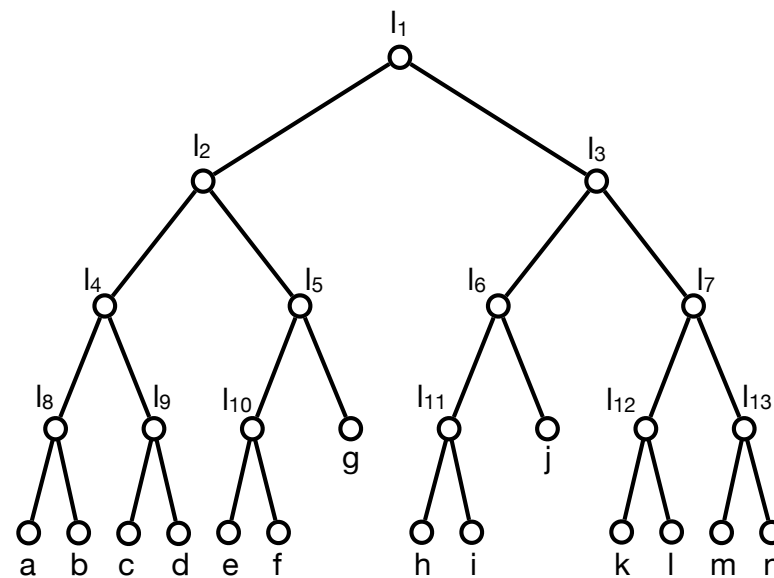
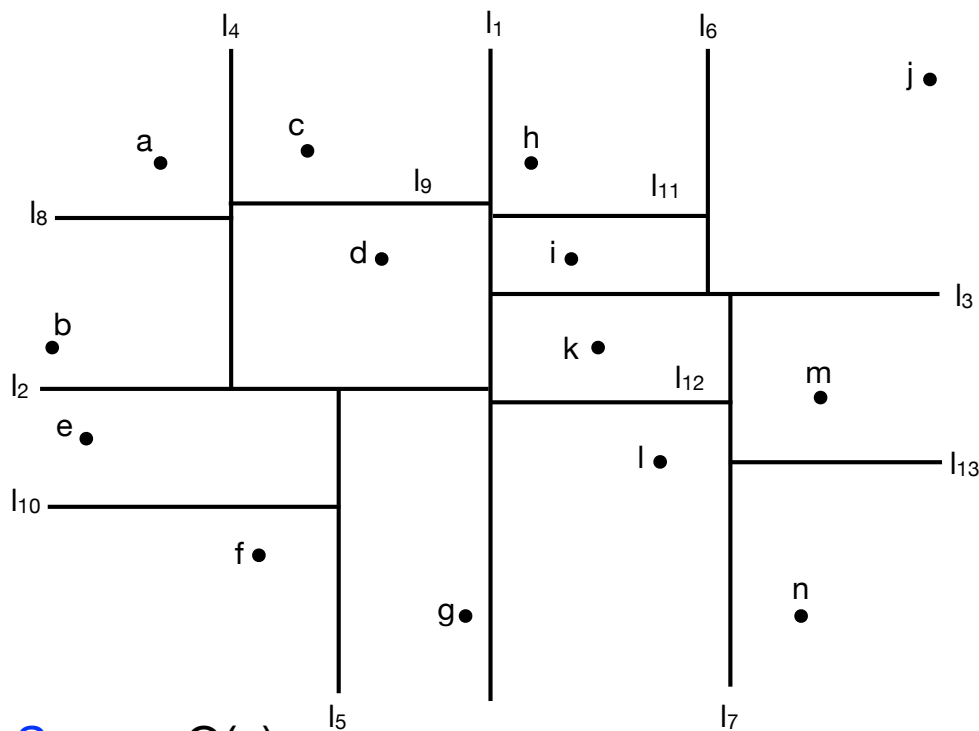
- What can we do with only linear space?

Range Reporting

- Range reporting problem
- 1D range reporting
 - Range trees
- 2D range reporting
 - Range trees
 - Predecessor in nested sets
 - **kD trees**

kD Trees

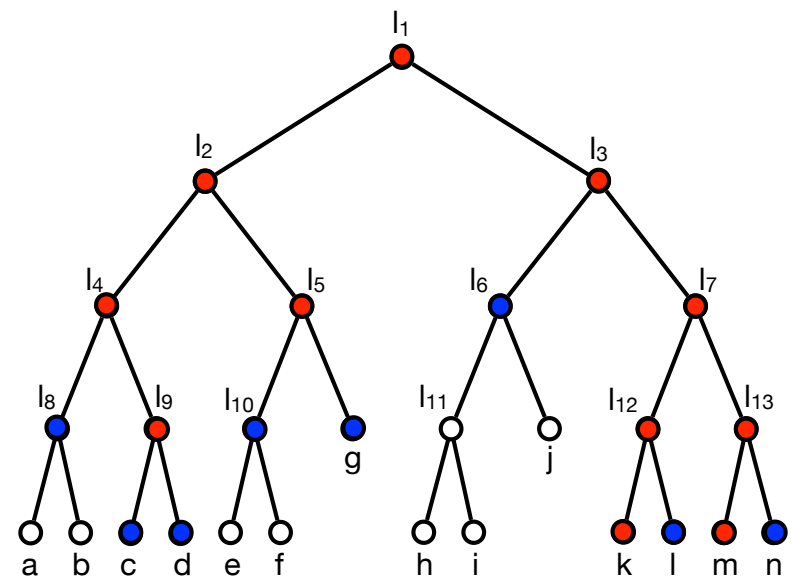
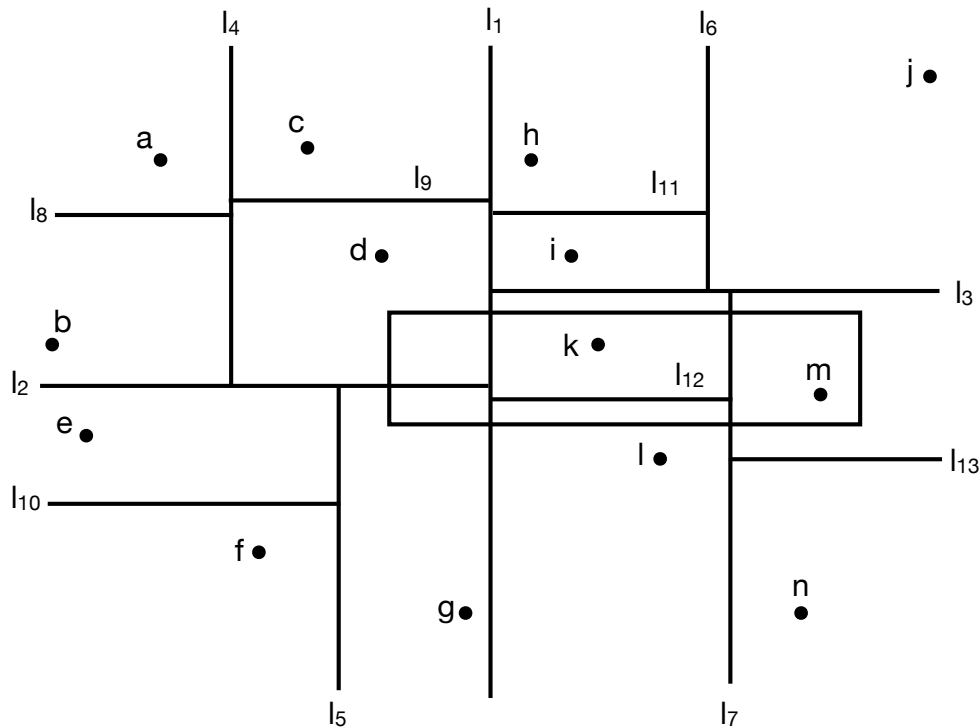
- The 2D tree ($k = 2$).
 - A balanced binary tree over point set P .
 - Recursively partition P into rectangular **regions** containing (roughly) same number of points. Partition by alternating horizontal and vertical lines.
 - Each node in tree stores region and line.



- Space. $O(n)$
- Preprocessing. $O(n \log n)$

kD Trees

- **Report**(x_1, y_1, x_2, y_2): Traverse 2D tree starting at the root. At node v :
 - **Case 1.** v is a leaf: report the unique point in $\text{region}(v)$ if contained in range.
 - **Case 2.** $\text{region}(v)$ is disjoint from range: stop.
 - **Case 3.** $\text{region}(v)$ is contained in range: report all points in $\text{region}(v)$.
 - **Case 4.** $\text{region}(v)$ intersects range, and v is not a leaf. Recurse left and right.



- **Time.** $O(n^{1/2})$

kD trees

- **Theorem.** We can solve the 2D range reporting problem in
 - $O(n)$ space
 - $O(n^{1/2} + \text{occ})$ time
 - $O(n \log n)$ preprocessing

2D Range Reporting

- **Theorem.** We can solve 2D range reporting in either
 - $O(n \log n)$ space and $O(\log n + \text{occ})$ query time
 - $O(n)$ space and $O(n^{1/2} + \text{occ})$ query time.
- **Extensions.**
 - More dimensions.
 - Inserting and deleting points.
 - Using word RAM techniques.
 - Other shapes (circles, triangles, etc.)

Range Reporting

- Range reporting problem
- 1D range reporting
 - Range trees
- 2D range reporting
 - Range trees
 - Predecessor in nested sets
 - kD trees